

Decon Unit on straight truck 3.5t (from 3 to 5 stages)

TRACTOR VEHICLE

RENAULT MASTER

Single frame, cabin L3
Wheelbase 4332 mm
Energy DCI 145CV EURO 6
Spare wheel

DECON UNIT

Dimensions inside : 3.90 x 2.10 m
Height under ceiling : 2 m
G.W.V : 3.5 T

STRUCTURE

Chassis made of Aluminum
Structure : Round shaped aluminum profiles painted in the color of your choice
Walls & roof insulation roof and wall made of white metal sandwich panel with PU foam, thickness 30 mm
Floor : Marine plywood with resin covering with covings of 8cm
Color : red & green

EQUIPMENT

(standard layout of a Decon Unit 5-stages according the current French regulations - 3 or 4 stages also available)

Dirty end (1st stage)

LED waterproof lighting, 3 coat hooks, 1 mirror, 1 porthole, steps, boots holder, sealing shutter for the pre-filter of air mover

Shower (2nd stage)

2 insulated doors with grids, 1 resin shower 800x1000mm, 1 mixer and head shower, 1 LED lighting, 1 soap holder, 1 shower temporization

Transitional room (3rd stage)

1 corner bench, 1 LED lighting, 1 airtight garbage with Longopac system for bags and external access for emptying + access from body shower to throw the cartridge, 1 porthole, 1 mirror

Shower „body“ (4st stage)

2 insulated doors with grids, 1 resin shower 800x1000mm, 1 mixer and head shower, 1 LED lighting, 1 soap holder, 1 shower temporization + gutter to recover the runoff water in the bottom of the door, closing system for door grid

Clean end (5st stage)

1 external access with porthole, steps and handle grip
3 hooks, 1 LED lighting, 1 porthole, 2 stools, 1 washbasin, shelf, mirror, 1 blowing convector 1800W, 3 hooks + 3 sockets for mask reloading, 2 half lockers (other capacities on request)

Technical room

1 gas boiler + bottle chest or 1 electrical boiler (200 or 300L), 1 electrical box, 1 socket, 1 convector 500W, 1 HEPA vacuum cleaner + bulkhead, 1 fresh water tank 175L + high pressure pump (other capacities on request), 1 LED lighting, 2 wheels chocks
Water management: waste water filtration with 2 filters (5 und 25µ) + pump
Air management: Negative Pressure System with HEPA filter – Air measurement delivered with

Generator

Generator: gas, diesel or petrol from 2.5 to 10KW
The generator is mounted on sliding rails into a "chamber" with lockable external access.

Outer equipment

1 watertight socket 220V, 1 spirit level, 1 water inlet tap, 1 earth cable & rod



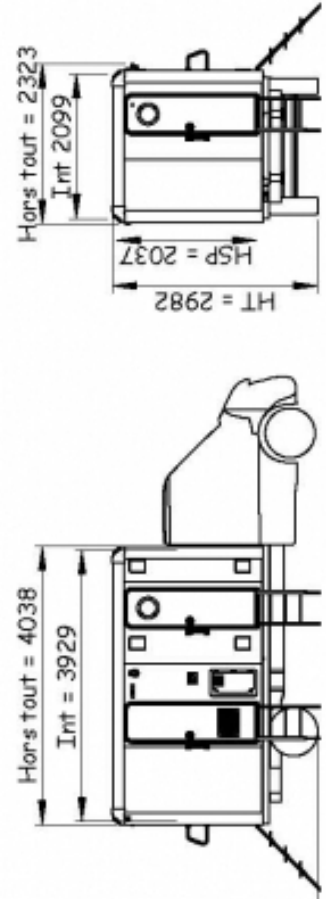
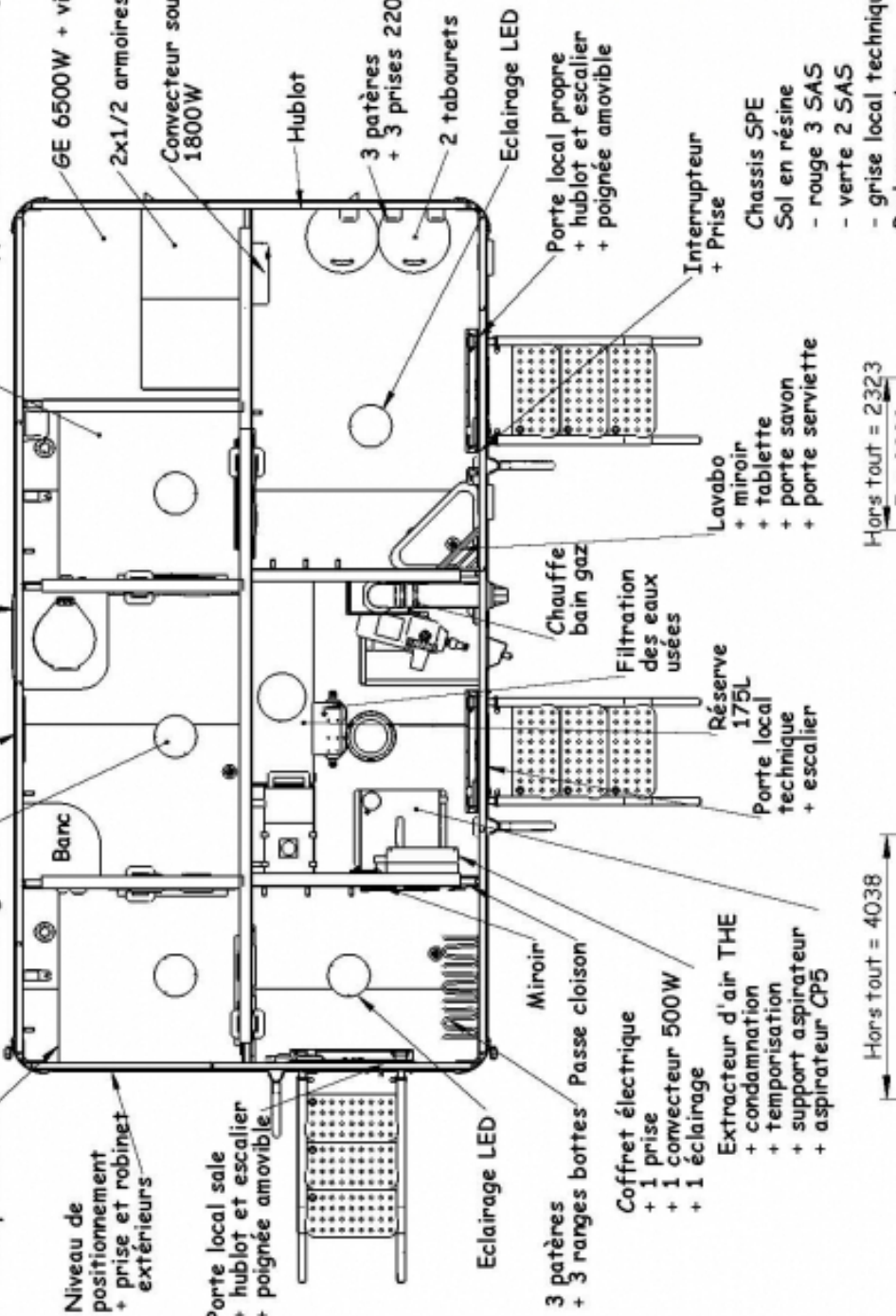
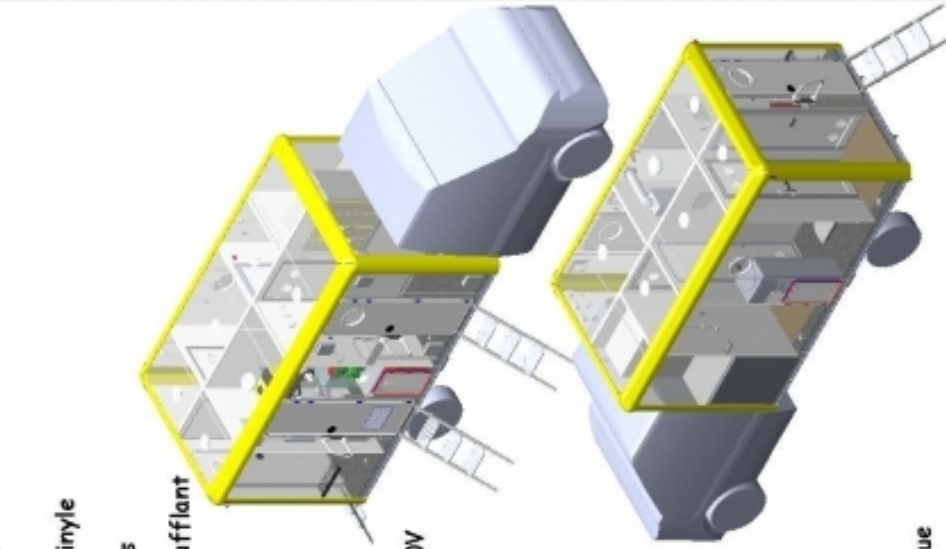
Decon Unit (DCU) mounted on 3.5T straight truck

Interior design according to the current local regulations : 3, 4 or 5-stages.

the standard layout has been designed to be compliant with the French regulations for Asbestos decontamination for operators (ED 6244)

Contact us for your project !

- Douche 800x1000
 - + patère
 - + éclairage LED
 - + mitigeur
 - + temporisation
- Niveau de positionnement
 - + prise et robinet extérieurs
- Porte local salle
 - + hublot et escalier
 - + poignée amovible.
- Douche 800x1000
 - + porte savon
 - + patère + éclairage LED
 - + mitigeur
 - + temporisation + gouttière
 - + trappe de fermeture des grilles
- Poubelle étanche
 - avec accès extérieur
 - + accès par la douche
- Hublot
 - + patère
 - + miroir
- Eclairage LED
- Banc
- GE 6500W + vinyle
- 2x1/2 armoires
- Convecteur soufflant 1800W
- Hublot
- 3 patères + 3 prises 220V
- 2 tabourets
- Eclairage LED
- Porte local propre
 - + hublot et escalier
 - + poignée amovible
- Interrupteur + Prise
- Chassis SPE
- Sol en résine
 - rouge 3 SAS
 - verte 2 SAS
- grise local technique
- Bouleau marine
- Clef unique



Modèles et configurations types sans détail de prix. Les modifications et personnalisations sont facturées en plus.	
Description: Porteur GAZ 175L GE 2/2 armoires	
Finition: -	Devis: 30565
Cellule par : 1.3M Le : 26/09/2017	Révisé par : A
N° de plan: PCFR03555_A5_000001	
Client: CNSE	
Echelle: 1/30	
Page : 1/1	



Les prix sont indiqués en euros hors taxes sans les options facultatives de la gamme CNSE.
 Tous les prix sont en euros TTC. Les prix sont en euros TTC.